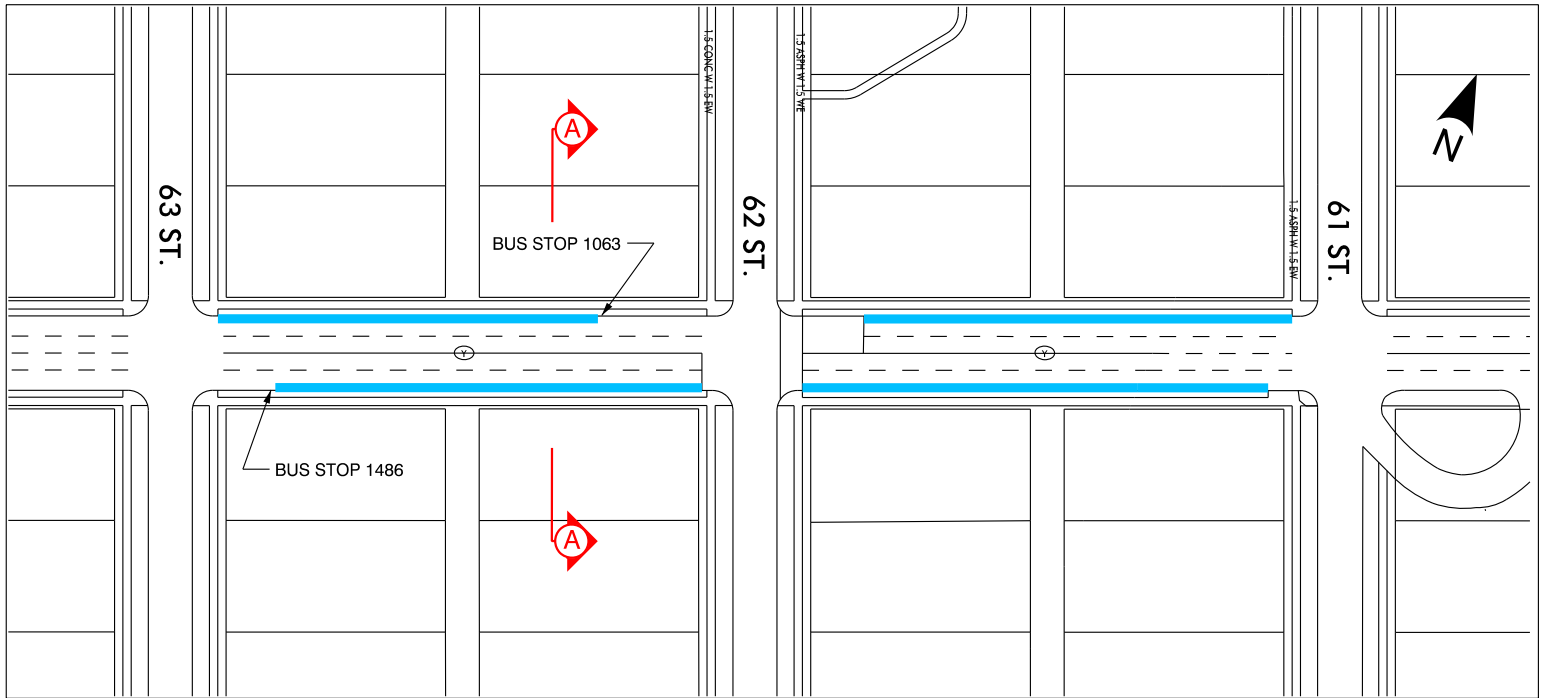


112 AVENUE, 50-68 STREET 4 LANE RESIDENTIAL AREA CONCEPT PLAN

Attachment 1

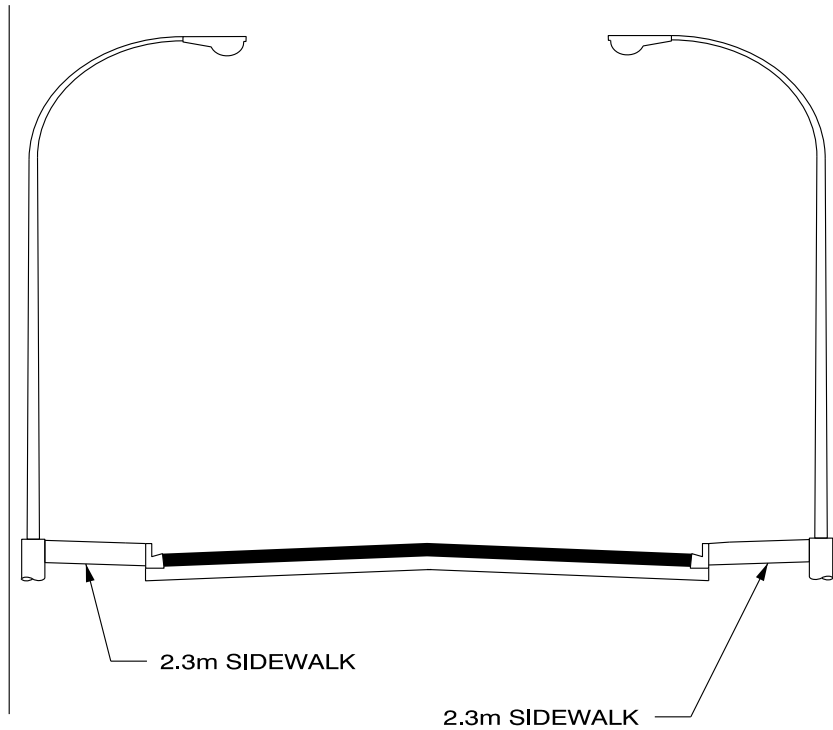


LEGEND:

 PARKING DURING OFF-PEAK TIMES ONLY

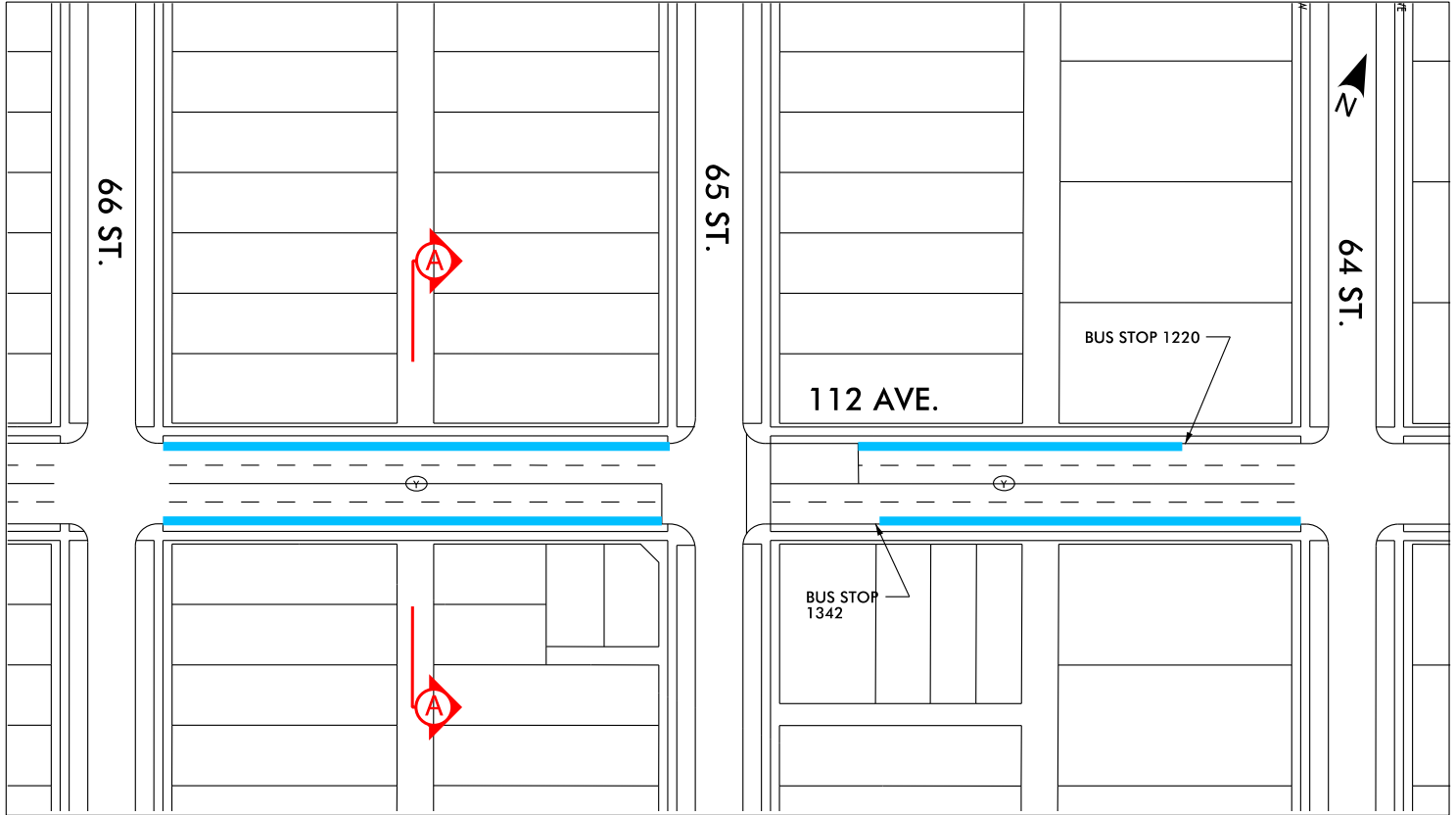
NORTH
PROPERTY
LINE

SOUTH
PROPERTY
LINE



SECTION A-A

112 AVENUE, 50-68 STREET 4 LANE COMMERCIAL AREA CONCEPT PLAN

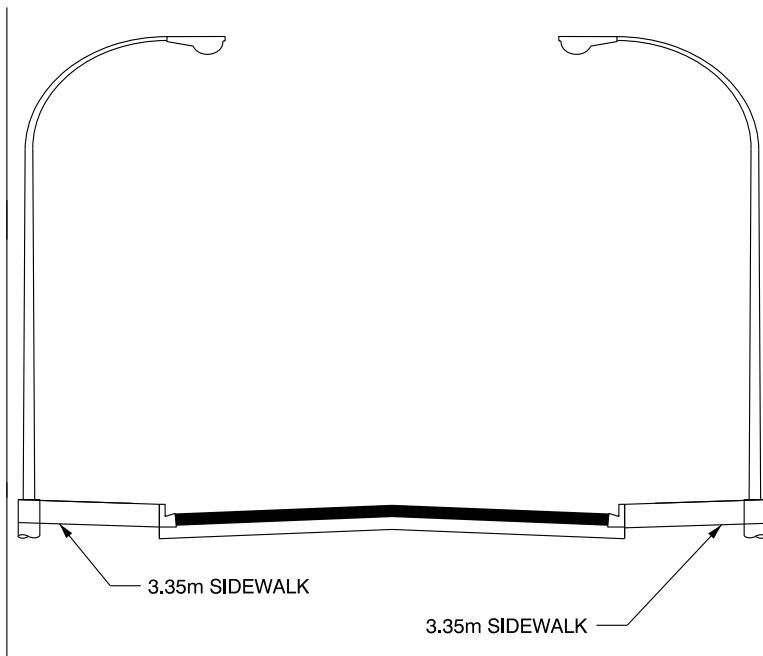


LEGEND:

 PARKING DURING OFF-PEAK TIMES ONLY

NORTH
PROPERTY
LINE

SOUTH
PROPERTY
LINE



SECTION A-A