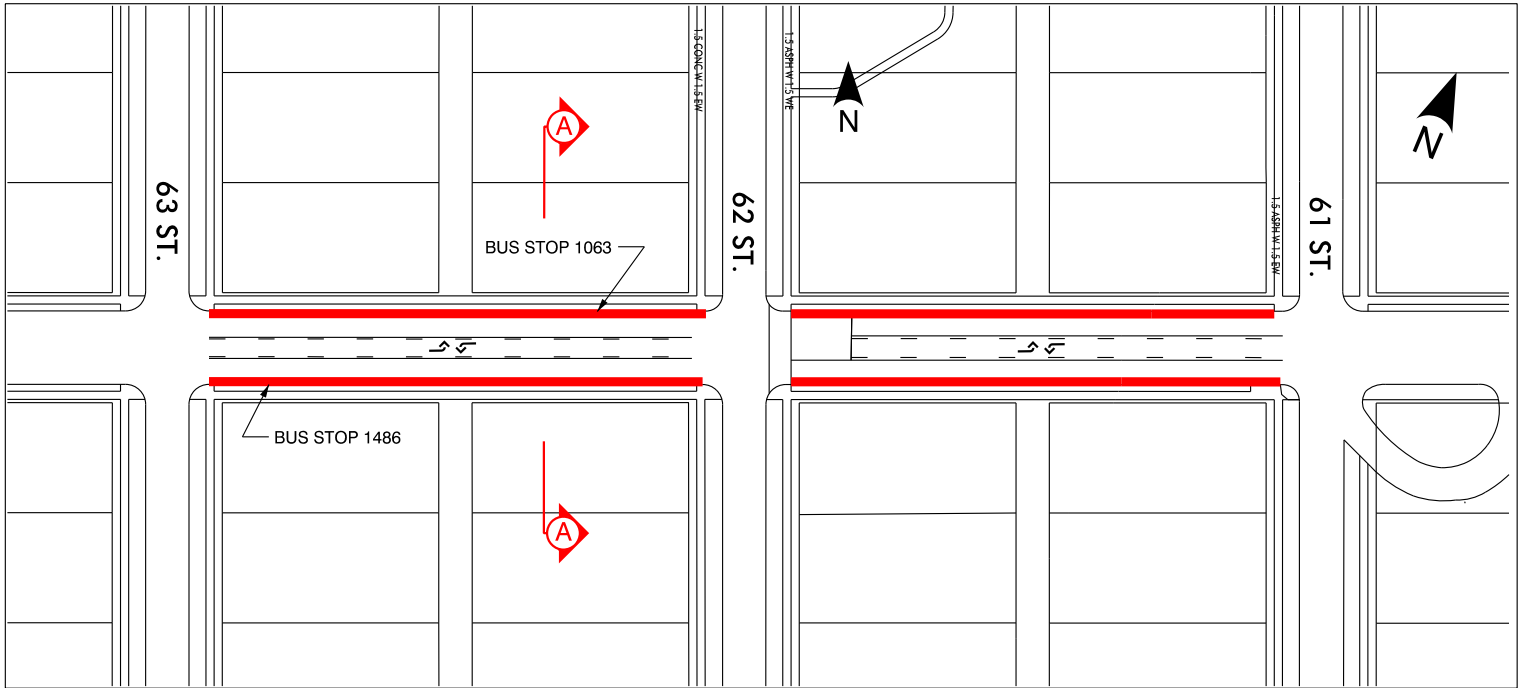



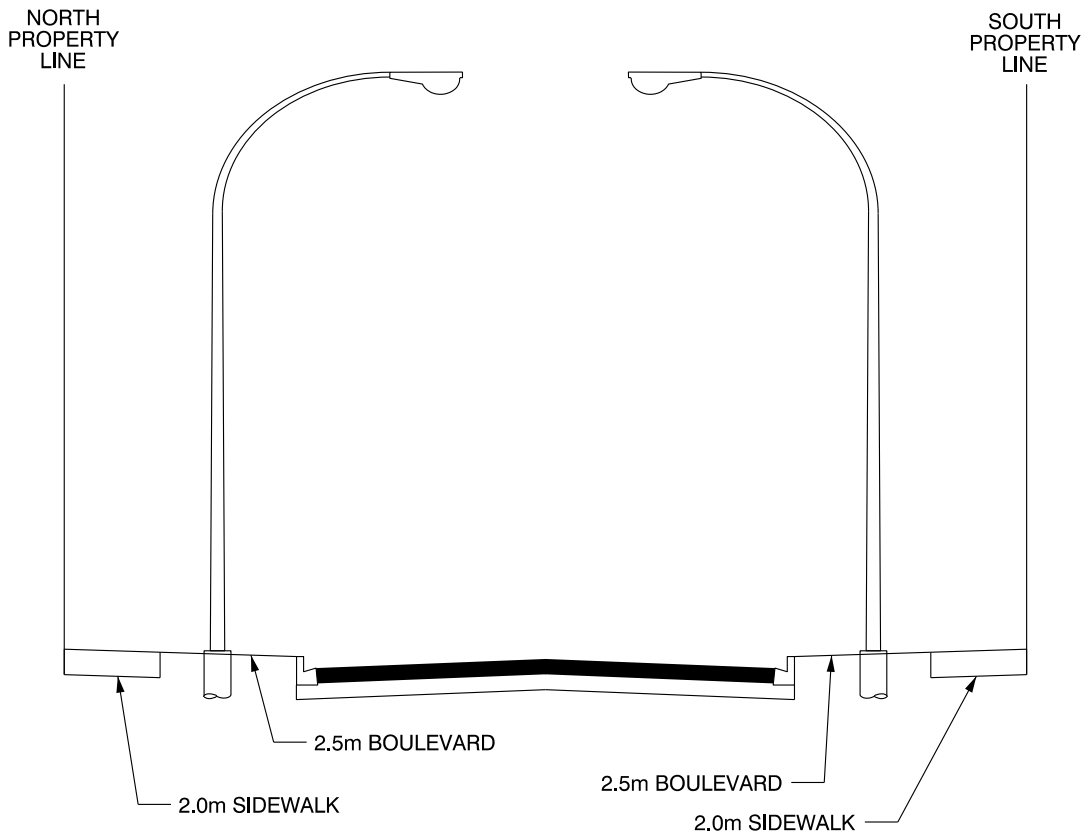
# 112 AVENUE, 50-68 STREET 3 LANE RESIDENTIAL AREA CONCEPT PLAN

Attachment 2



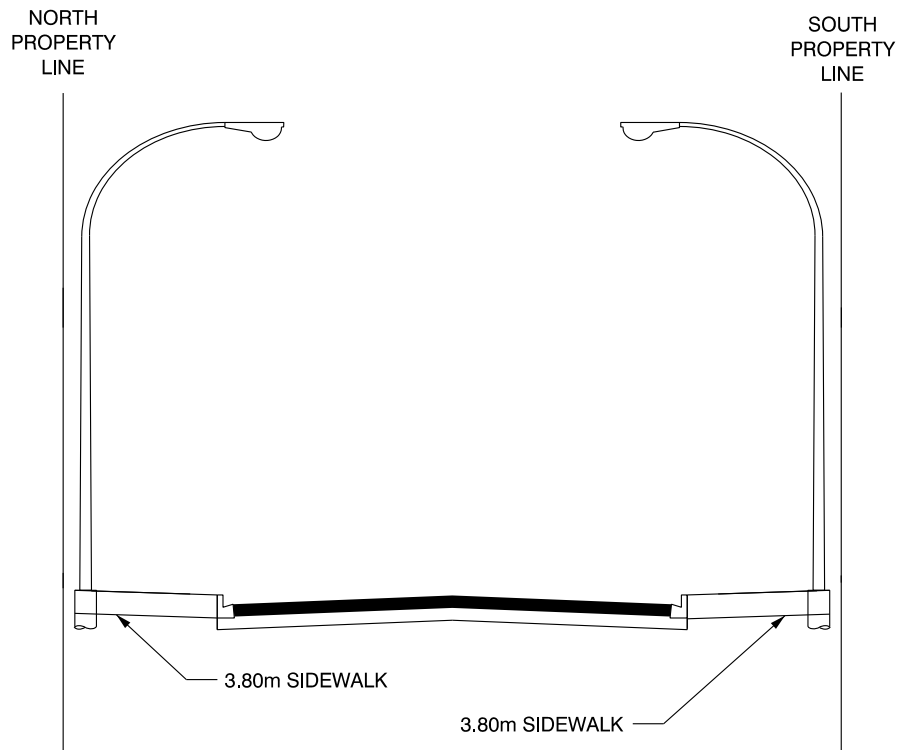
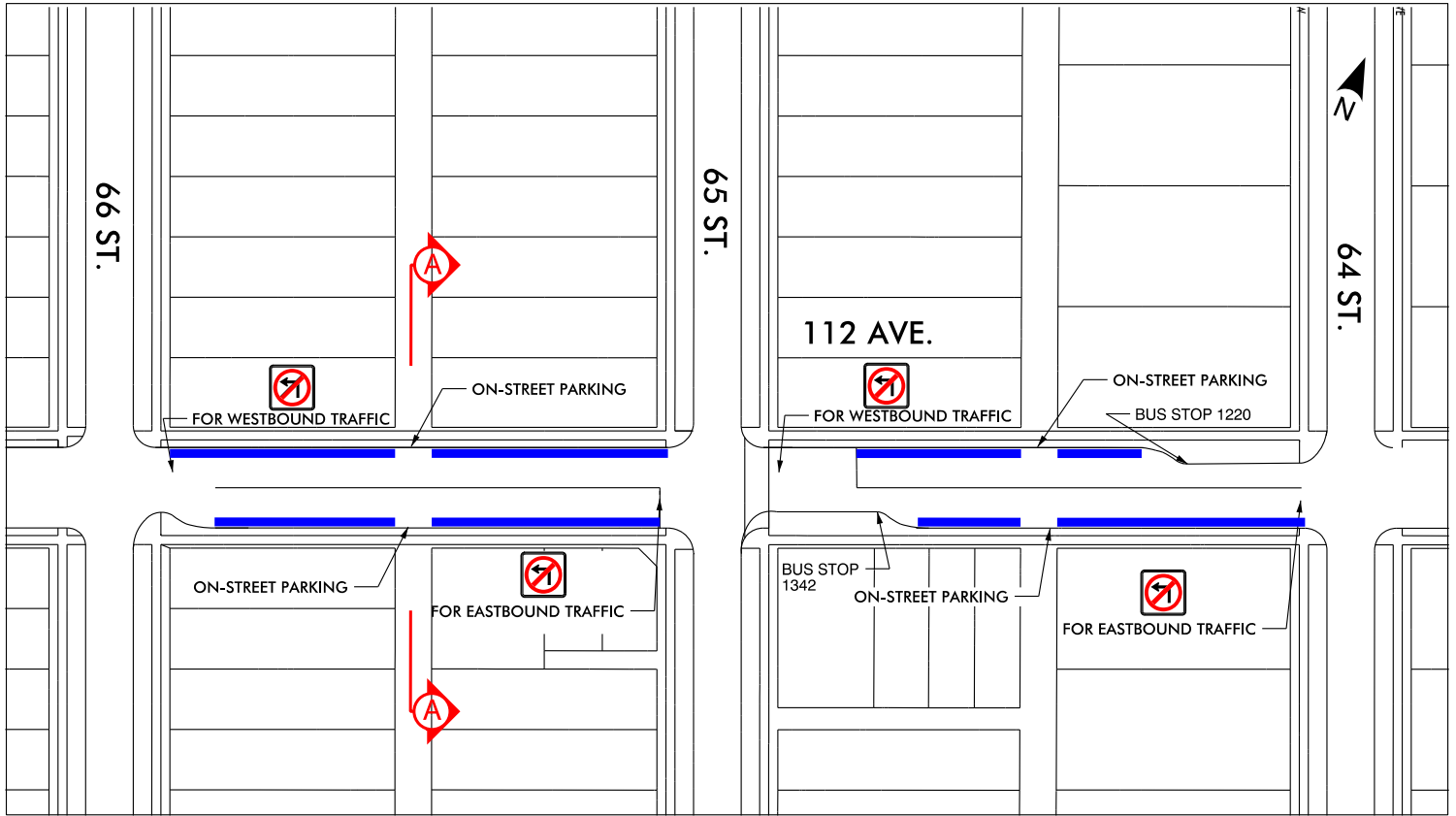
LEGEND:

 NO PARKING



## SECTION A-A

# 112 AVENUE, 50-68 STREET 3 LANE COMMERCIAL AREA CONCEPT PLAN



## SECTION A-A