

***Valley Line Stage 1***  
***Mill Woods Town Centre to Centre West***

**Southeast to West LRT**  
**North Saskatchewan River Bridge**  
**Architectural Concept**

LRT Governance Board  
February 5, 2013

# Extradosed River Bridge Rendering 1



Downtown Skyline - Potential view looking northwest from the Cloverdale residential developments on the River's southern bank.



# Extradosed River Bridge Rendering 2



Potential view looking southeast from Grierson Hill, above Louise McKinney Park.



# Extradosed River Bridge Rendering 3



Potential shoreline view looking east from the River's northern edge.



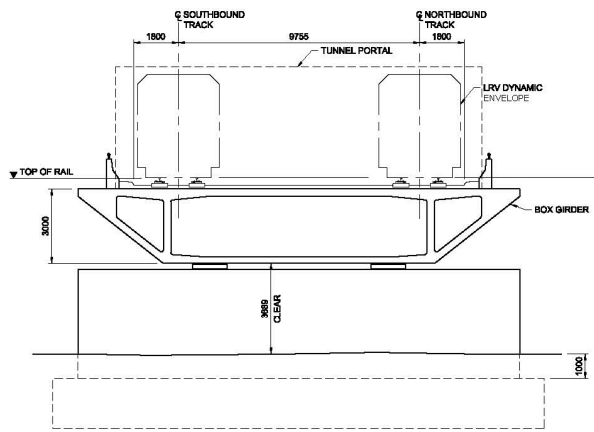
# Extradosed River Bridge Rendering 4



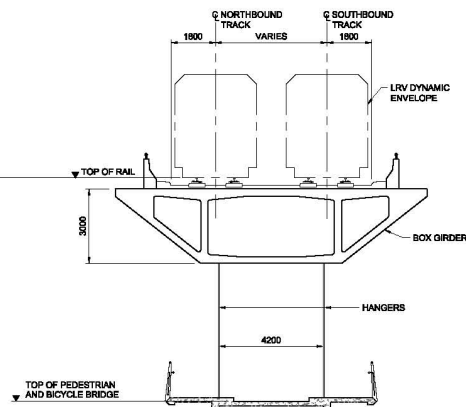
Potential view looking west from the existing shared use paths along the River's northern edge.

# Extradosed Bridge Cross Sections

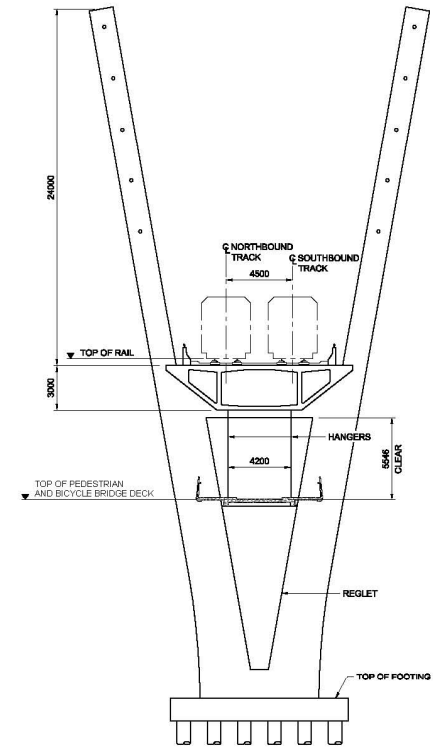
Draft - Submitted for 90% Design Review Only.  
Not for Construction.



**A** ABUTMENT 1  
2400-01  
1:100m  
1015G



**B** SECTION AT MIDSPAN  
2400-01  
1:100m  
1015G



**C** PIER 1  
2400-01  
1:150m  
1015G

# Public Consultation

- Polarizing subject
  - Approximately half prefer a large, signature structure at this location
  - Approximately half prefer a non-signature structure that does not dominate the River Valley
- The extradosed bridge strikes a balance between a simple functional structure and a large signature structure
- Through preliminary consultation, the Edmonton Design Committee has supported the extradosed bridge.

# **Working Design Model**



# Questions